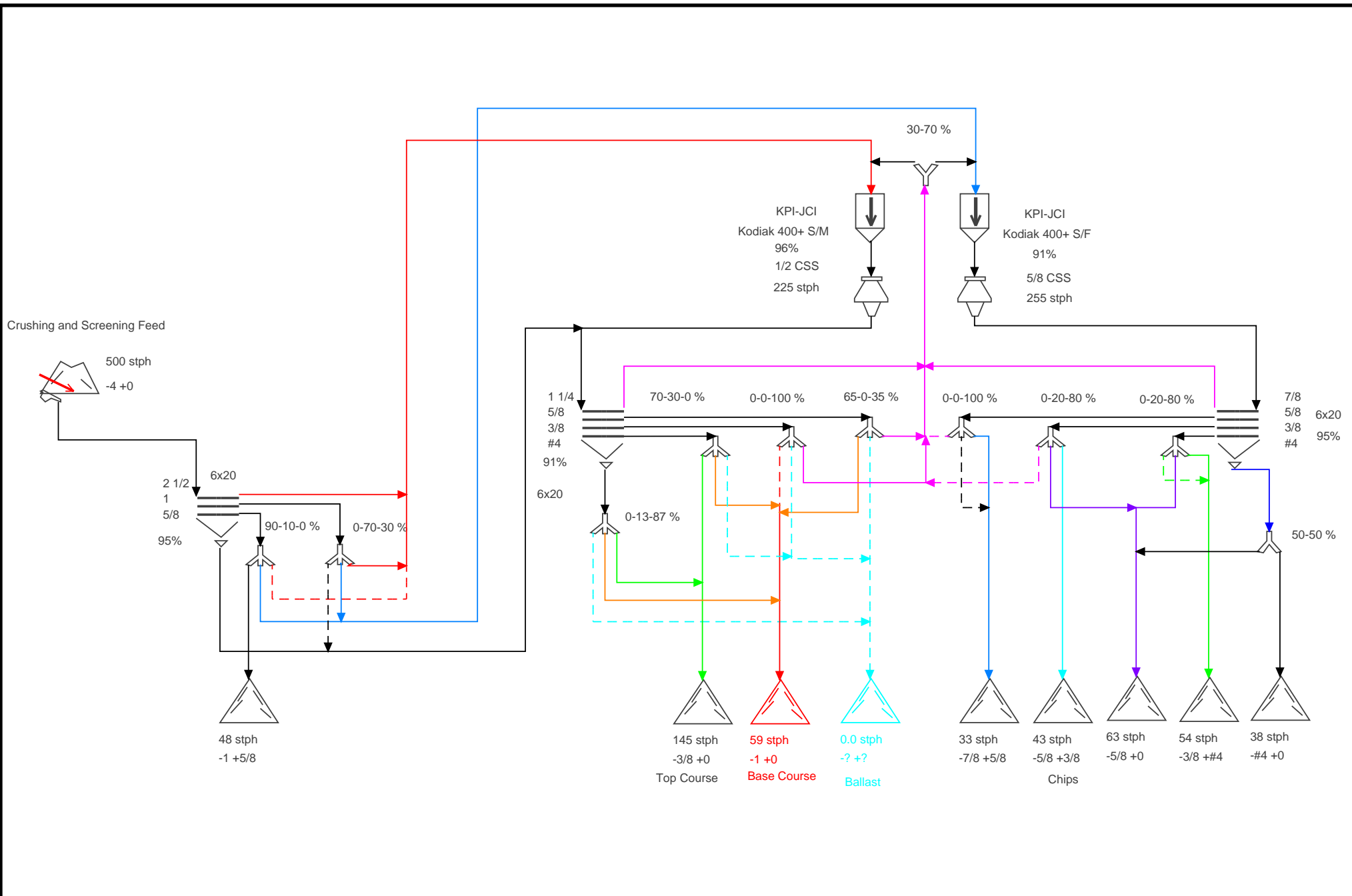


Calculation results may differ due to variations in operating conditions and application of crushing and screening equipment. This information does not constitute an express or implied warranty, but shows results of calculations based on information provided by customers or equipment manufacturers. Use this information for estimating purposes only.
All calculations performed by AggFlow. <http://www.AggFlow.com>

Mueller Aggregate Production Solutions
 dm
 Donald Mueller
 Primary Plant Stage #1:
 Project #: 100791 Revision #: 461708 Date: August/28/2020



Calculation results may differ due to variations in operating conditions and application of crushing and screening equipment. This information does not constitute an express or implied warranty, but shows results of calculations based on information provided by customers or equipment manufacturers. Use this information for estimating purposes only.
All calculations performed by AggFlow. <http://www.AggFlow.com>

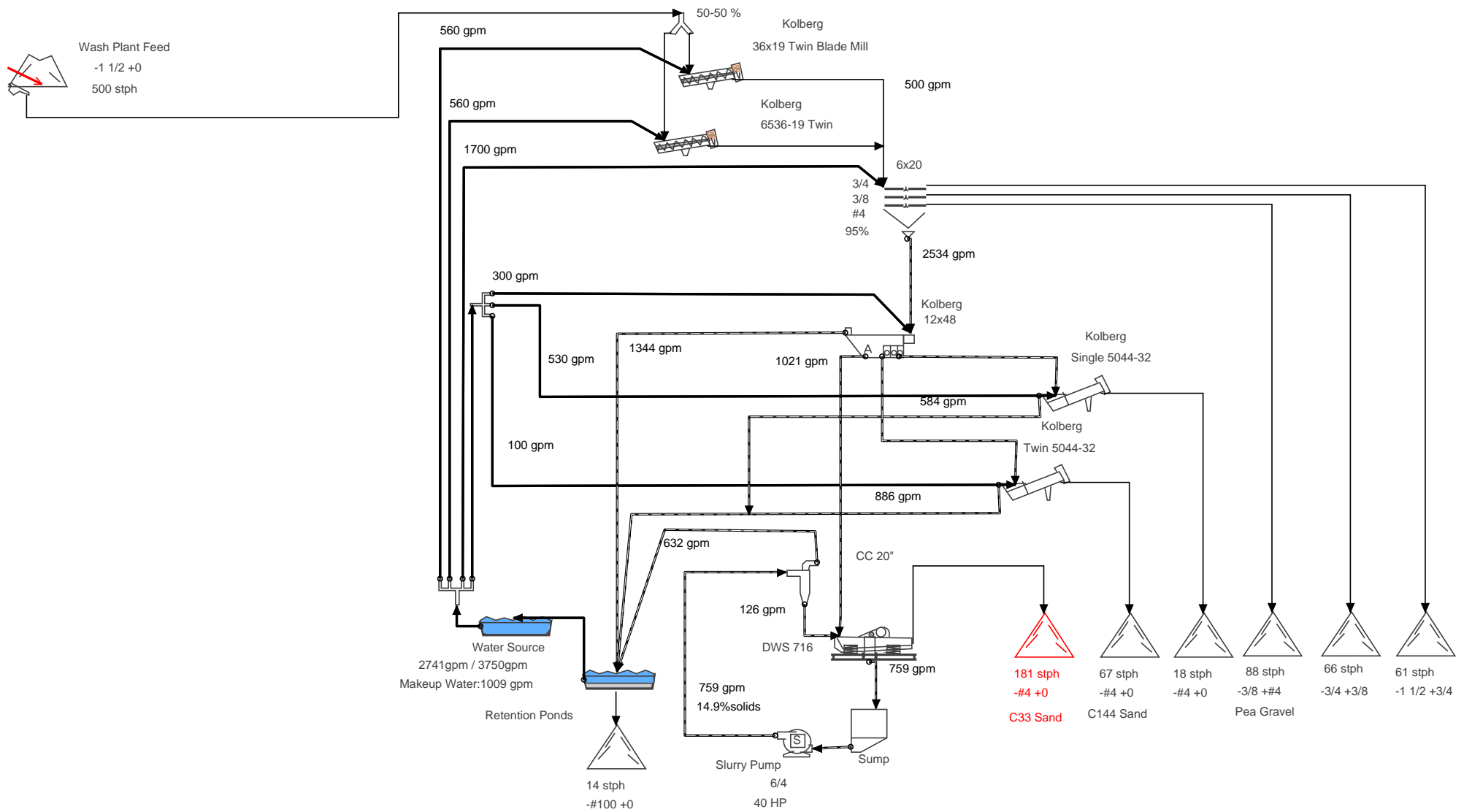
Mueller Aggregate Production Solutions

dm

Donald Mueller

Crushing & Screening Stage:

Project #: 100791 Revision #: 461708 Date: August/28/2020



Calculation results may differ due to variations in operating conditions and application of crushing and screening equipment. This information does not constitute an express or implied warranty, but shows results of calculations based on information provided by customers or equipment manufacturers. Use this information for estimating purposes only.
All calculations performed by AggFlow. <http://www.AggFlow.com>

Mueller Aggregate Production Solutions
 dm
 Donald Mueller
 Wash Plant Stage:
 Project #: 100791 Revision #: 461708 Date: August/28/2020